



CRUISER

L.E.D. Warning Light Bar



Installation & Operating Instructions

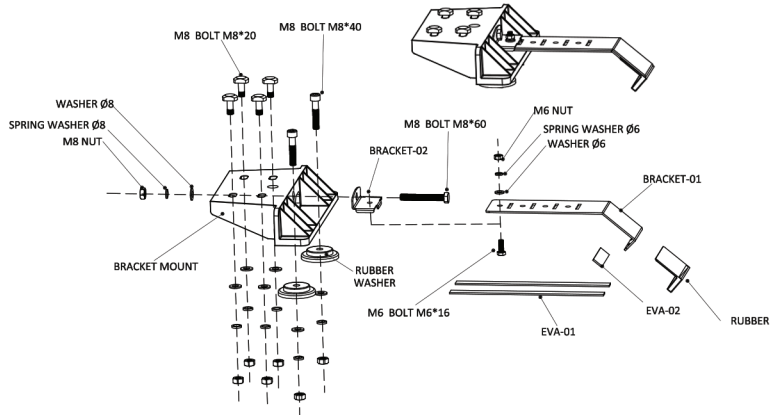
VOLTAGE
10-30
VDC

SAE
J845

WEATHER
PROOF
IP66

CISPR
25

Mounting Instructions



1. To install the provided black, plastic foot kit onto the light bar, slide the heads of the M8 bolts into the channels on the underside of the bar (4 bolts per side).
2. Place each of the feet onto the bolts, and loosely fasten down, fitting the washer, then spring washer, then M8 nut to each bolt.
3. Determine the ideal location for the light bar on the vehicle, sliding the feet along the base to best fit. It is recommended that the feet are placed symmetrically, and positioned towards the outer edge of the roof, where the roof is strongest.
4. Determine the best path to route the wiring. It is recommended that the wiring is routed through the least used door of the vehicle.
5. Tighten M8 nuts to secure the feet in position.
6. Open the door of the vehicle and attach the silver, metal gutter hooks to either side of the foot kit. Refer to the diagram to ensure the gutter hooks are fitted properly.
7. Once the hooks are in place and attached, tighten the tensioning bolts in stages on both sides of the light bar until secured.
8. Ensure the light bar is properly attached by holding and shaking it firmly. The bar should not move on top of the vehicle.

Flash Patterns

1. In & Out - Fast & Slow
2. Alert Variable
3. Night Rider
4. Centre Split - Slow
5. Centre Split - Fast
6. Picket Fence - Slow
7. Picket Fence - Fast
8. In & Out - Slow
9. In & Out - Fast
10. Full Flash - Slow
11. Full Flash - Fast
12. Rotating - Anticlockwise
13. Rotating - Clockwise
14. Combo - Slow
15. Combo - Fast
16. Combo - Slow & Fast

Wiring Functions

Main Wiring Harness

RED - 360 degree warning lights. Apply positive (+) 10-30VDC

BLACK - Ground. Connect to negative (-).

YELLOW - Momentarily apply to positive (+) for pattern change.

Apply to Positive (+) for 5 seconds to Reset to Pattern 1.

Additional Functions (Cruiser-X)

GREY - Take down lights. Apply positive (+)

BLUE - Right alley light. Apply positive (+)

BROWN - Left alley light. Apply positive (+)

PURPLE - Sign box. Apply positive (+) (Optional)

GREEN & RED - Cruise mode. Apply positive (+)

ORANGE & RED - Rear warning lights only. Apply positive (+)

Secondary Wiring Harness (Mine Spec)

RED - Brake lights. Apply positive (+)

ORANGE - Tail lights. Apply positive (+)

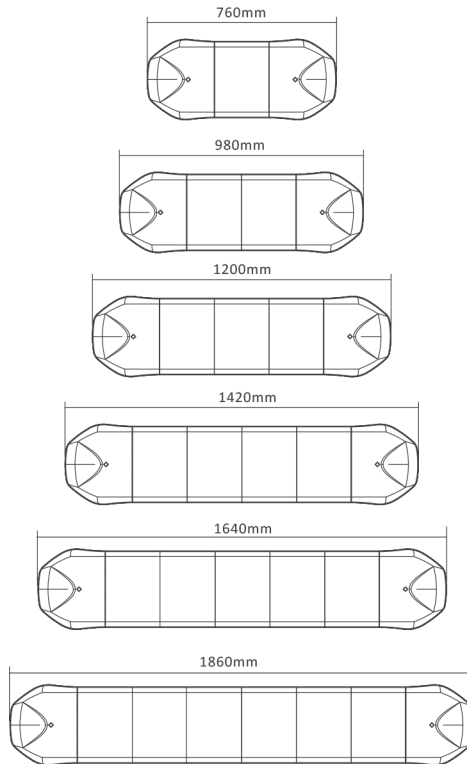
GREEN - Right turn indicator. Apply positive (+)

YELLOW - Left turn indicator. Apply positive (+)

BLACK - Reverse lights. Apply positive (+)

WHITE - Rear work lights. Apply positive (+)

*Explore our range at
www.redfleetsafety.com.au*



IMPORTANT!

Read all instructions before installing and using. Installer: This manual must be delivered to the end user. This manual assumes installation by a suitably qualified Automotive Technician.