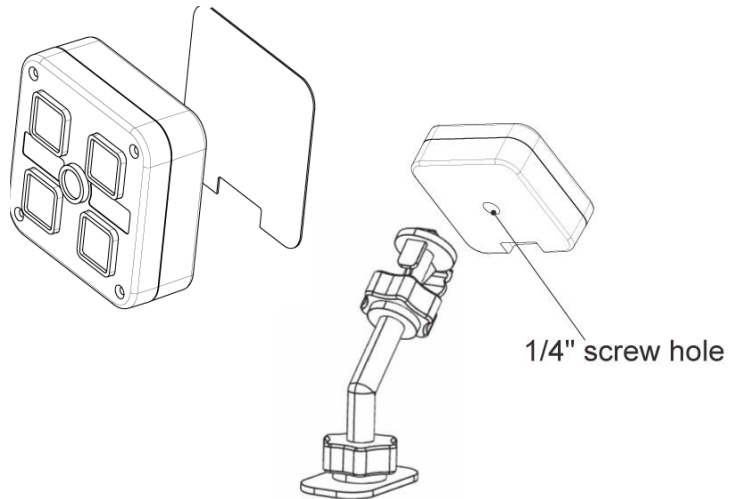
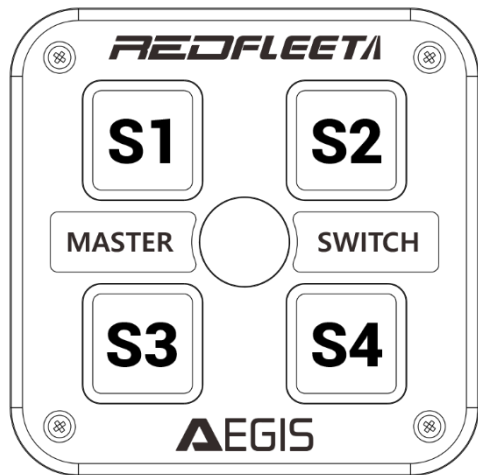


# AEGIS 4 Way Master Switch Controller



Wiring Instructions	Wire Colour	Special Notes
Main Ground Negative (-)	<b>BLACK (14AWG)</b>	Please ensure that adequate grounding is provided for maximum performance & reliability
Main Positive Power (+)	<b>RED (14AWG)</b>	Please ensure that this wire is connected to a reliable DC power source that can support continuous current draw with a maximum 20A fuse
<p>AEGIS 4 Way Master Switch controllers have a maximum total output current load of 20A.</p> <p>Whilst each switch circuit is rated at 20A, the total shared output across all 4 switches must not exceed 20A.</p> <p>To Activate or Deactivate the AEGIS 4 controller, press the circular switch located in the middle of the controller.</p>		
S1 - Switch 1 Output Wire (+)	<b>BLUE (16AWG)</b>	Independent ON/OFF or Momentary Function Switch rated at 20A max
S2 - Switch 2 Output Wire (+)	<b>YELLOW (16AWG)</b>	Independent ON/OFF or Momentary Function Switch rated at 20A max
S3 - Switch 3 Output Wire (+)	<b>GREEN (16AWG)</b>	Independent ON/OFF or Momentary Function Switch rated at 20A max
S4 - Switch 4 Output Wire (+)	<b>WHITE (16AWG)</b>	Independent ON/OFF or Momentary Function Switch rated at 20A max
<b>ENTER Programming Mode</b>	<ol style="list-style-type: none"> <li>1. To enter programming mode, ensure that the controller is switched OFF.</li> <li>2. PRESS and HOLD the centre ON/OFF master switch button, whilst depressed, push the corresponding Switch that you would like to program from ON/OFF Latching to Momentary activation which will be confirmed by an audible tone.</li> <li>3. Repeat this procedure to program each of the 4 available switches.</li> </ol>	

